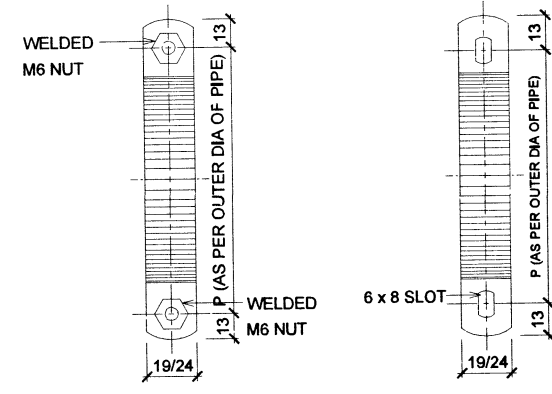
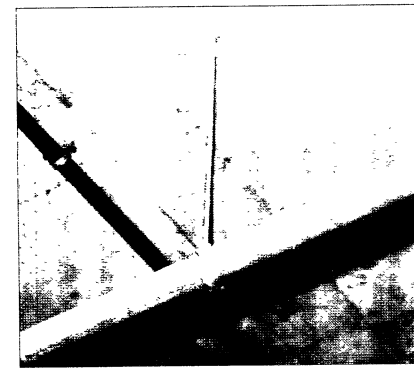


13

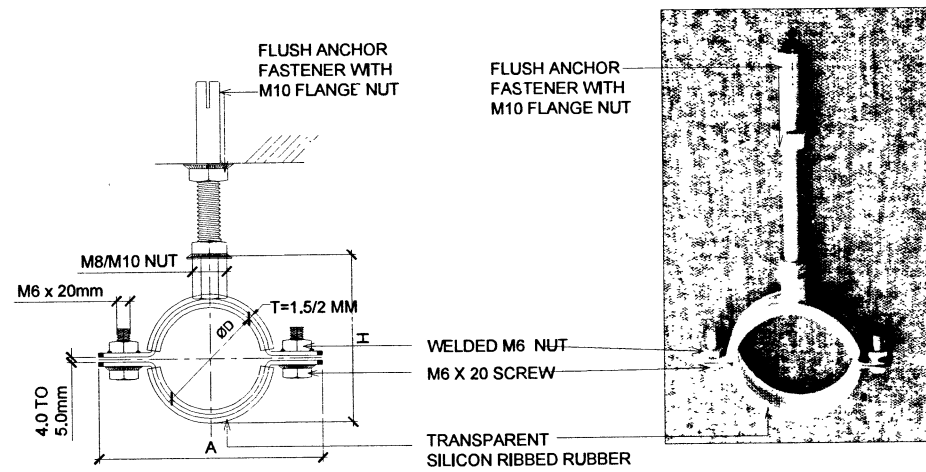
DETAILS OF SPLIT CLAMP



ELEVATION



FIXING DETAILS OF SPLIT CLAMP FROM CEILING AT SITE



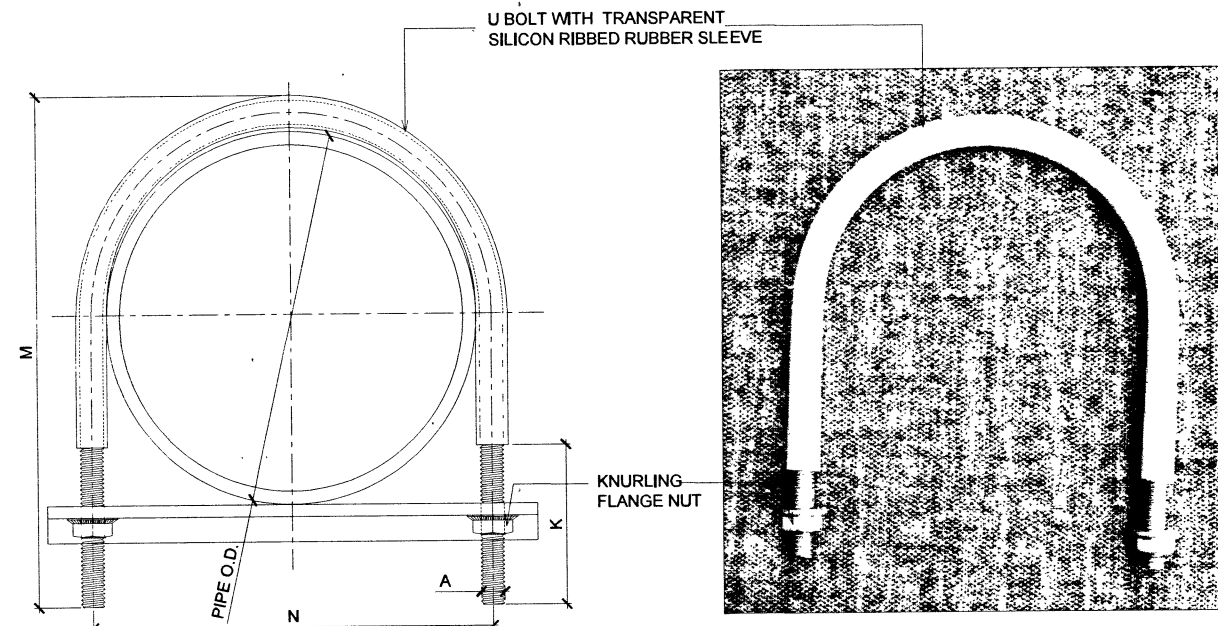
PLAN

NOTE :- WIDTH OF STRIP 19 x 1.5 MM TO BE USED FOR PIPES UPTO 75 MM DIA AND FOR PIPES ABOVE 75 MM DIA - 24 X 2 MM STRIP SIZE TO BE USED.

SPLIT CLAMP (M)

14

DETAILS OF 'U' BOLT



DETAIL OF U BOLT (C1 TO C10)

U BOLT TYPE	PIPE TYPE	PIPE O.D.	AØ (mm ± 0.5)	N (mm ± 2)	M (mm ± 1)	K (± 0.5mm)
C1	PVC	6" (160mm ± 0.5mm)	7	170	185	50
C2	PVC	4" (110mm ± 0.5mm)	7	120	140	50
C3	PVC	3" (90mm ± 0.5mm)	7	100	128	50
C4	PVC	2 1/2" (75mm ± 0.5mm)	7	85	100	50
C5	CPVC	2" (54mm ± 0.5mm)	7	64	84	50
C6	CPVC	1 1/2" (41mm ± 0.5mm)	7	52	71	40
C7	CPVC	1 1/4" (32mm ± 0.5mm)	7	45	57	35
C8	CPVC	1" (29mm ± 0.5mm)	7	39	48	35
C9	CPVC	3/4" (22mm ± 0.5mm)	7	32	44	25
C10	CPVC	1/2" (16mm ± 0.5mm)	7	25	35	25

NOTES :-

U BOLT

U BOLT IS MADE OF DEEP DRAWN LOW CARBON STEEL WITH ZN - AL (ZINC ALUMINIUM FLAKE) COATED WITH NOISE ABSORBING TRANSPARENT RIBBED SILICON RUBBER SLEEVE OF 2 MM THICKNESS WITH SET OF KNURLING FLANGE NUTS BSW 5/16 x 18 x 8 x 13 HAVING NATURAL SERRATION AS PER DIN 6923 WITH ZN - AL (ZINC ALUMINIUM FLAKE) COATED SHALL BE AS SHOWN IN DRAWING. ALSO AVAILABLE IS STAINLESS STEEL (SS) MATERIAL.

U BOLT (C)

LEGEND

SER.NO	DESCRIPTION	TYPE
1	SPLIT CLAMP	M

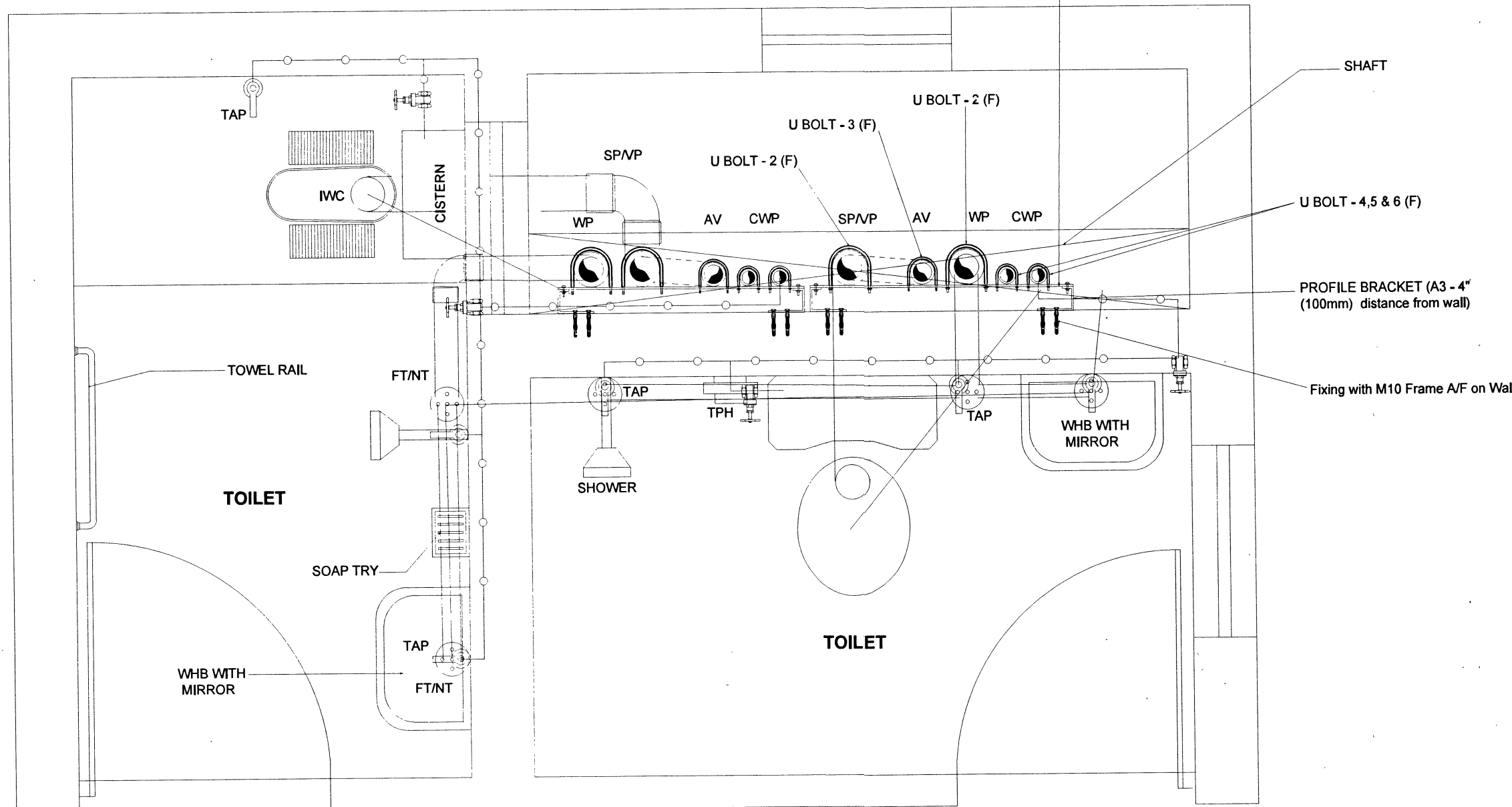
- GENERAL NOTES:-**
1. 'P' NOTIFYING THE DIMENSION OF THE CLAMPS AS SHOWN IN THE DRAWINGS SHALL VARY AS PER OUTER DIA (OD) OF THE PIPES.
 2. THE CLAMPS AND FIXTURES TO BE USED FOR PIPE SUPPORTING PLUMBING SOLUTIONS SHALL BE CONFIRMED WITH OUTER DIA (OD) OF PIPES AND FOR ALL THE FIXING DETAILS OF THIS DRAWING SHALL BE REFERRED.
 3. THE COATING OF ZN - AL (ZINC ALUMINIUM FLAKE) ON ALL CLAMPS WOULD BE OF 15-18 MICRON PROVIDING 600 HRS SALT SPRAY TEST (SST). (TEST METHOD : ASTM B-117-2019).
 4. (i) THE FLUSH (BULLET)/ANCHOR FASTENER M 10X40MM WHICH IS BEING USED FOR FIXING SUSPENSION CLAMPS /HANGER CLAMPS/SPLIT CLAMPS SHALL BE OF (HILTI, BOSCH OR FISCHER) & SHALL BE FIXED IN THE BOTTOM OR RCC SLAB/B.EAM.

(ii) IT IS MANDATORY TO PENETRATE ANCHOR FASTENER IN A DEPTH OF MINIMUM 25MM IN RCC MEMBER FOR RIGID MOUNTING OF THE CLAMP.
 5. (i) THE THREADED ROD OF 10 MM WOULD BE OF MAXIMUM UP TO 2 METER LENGTH.

(ii) THE LENGTH OF ROD OF SUSPENSION CLAMPS/ HANGER CLAMPS SHALL VARY AS PER THE SITE CONDITIONS OR DESIGN REQUIREMENT. IF THE THREADED ROD HANGING IS MORE THAN 2 MTR CONNECTOR NOT TO BE USED FOR JOINING THE TWO SEPARATE THREADED RODS.
 6. CUT OUT IN RCC SLAB FOR PLUMBING OF WP, SP/VP, RAIN WATER PIPES SHALL BE PROVIDED AS PER SITE REQUIREMENT.
 7. PROFILE BRACKET FOR RWP & CWP LINES - A1 AND ABOVE TYPE TO BE USED AND FOR SP/VP & WP LINES - A2 AND ABOVE TYPE TO BE USED.
SLOTTED C CHANNEL OF SPECIFIC TYPE AND SIZE REQUIREMENT WITH RESPECT TO THE NO. OF PIPES RUNNING.
U BOLTS TO BE USED AS PER PIPE DIMENSIONS IN THE DRAWINGS

SPLIT CLAMP
SPLIT CLAMP OF LOW CARBON DEEP DRAWN COLD ROLL (CR) STEEL (IS 513 DD) OF REPUTED MAKE WHICH IS RIBBED AND WITH TRANSPARENT RIBBED SILICON RUBBER OF 2 MM THICKNESS AND WITH ZN - AL (ZINC ALUMINIUM FLAKE) ANTI CORROSIVE COATING SHALL BE AS SHOWN IN DRAWING. ALSO AVAILABLE IN STAINLESS STEEL (SS) MATERIAL.

SLOTTED CHANNEL (L3)



Profile Bracket (A) details

A1	Size 2" (50 mm) distance from wall
A2	Size 3" (75 mm) distance from wall

U Bolt (F) details

U Bolt 1	Size 6" (160 mm) for RWP
U Bolt 2	Size 4" (110 mm) for SP/VP
U Bolt 3	Size 2 1/2" (75 mm) for WP Pipe
U Bolt 4	Size 2" (50 mm) for CWP
U Bolt 5	Size 1 1/2" (40 mm) for CWP
U Bolt 6	Size 1 1/4" (32 mm) for CWP
U Bolt 7	Size 1" (25 mm) for CWP

RWP	Rain Water Pipe
SP/VP	Soil Water Pipe
WP	Waste Water Pipe
CWP	Cold Water Pipe (OHT Water Supply)
OHT	Over Head Tank
Riser	Over Head Tank Water Supply Line
AV	AIR VENT

TYPICAL FLOOR TOILETS DETAIL (MULTY STORIES BLDG)
SCALE- NTS

No.	DESCRIPTION	Date	SIGN
REVISION			

FACTORY MADE PIPE SUPPORTING SYSTEM

DETAILS OF SPLIT CLAMP, 'U' BOLT & TYPICAL LAYOUT OF TOILET PIPE FIXING SYSTEM

DATE	23-10-2023	SHT NO	
DRN	SUB SANTOSH	CHIEF ENGINEER	4
TCD		PUNE ZONE	4
CKD			
SCALE	DRG NO:- CEPZ/2023/TD/ 03		

AAD (ARCH) DY DIR (ARCH) DIR (ARCH) FOR CHIEF ENGINEER